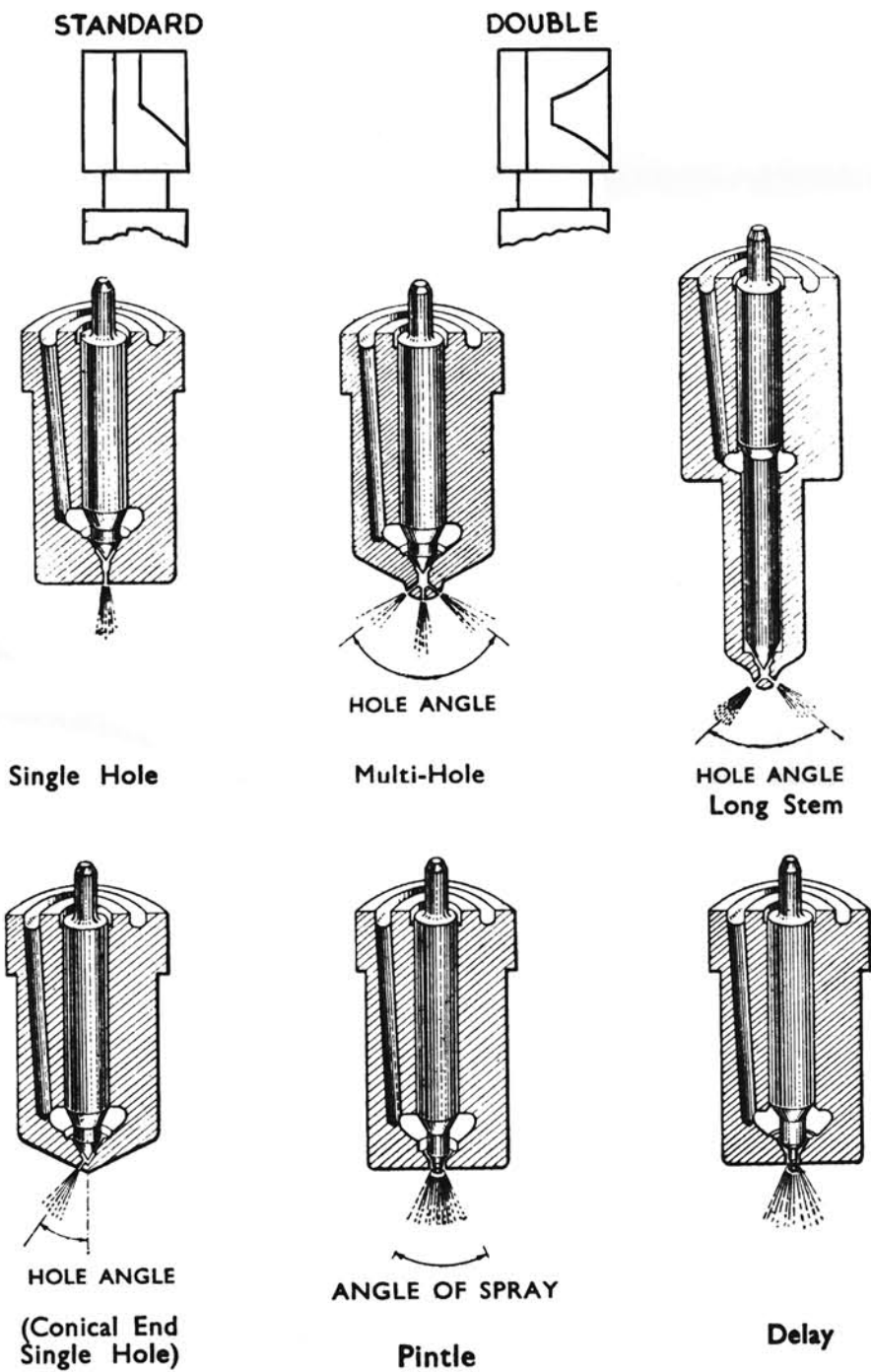
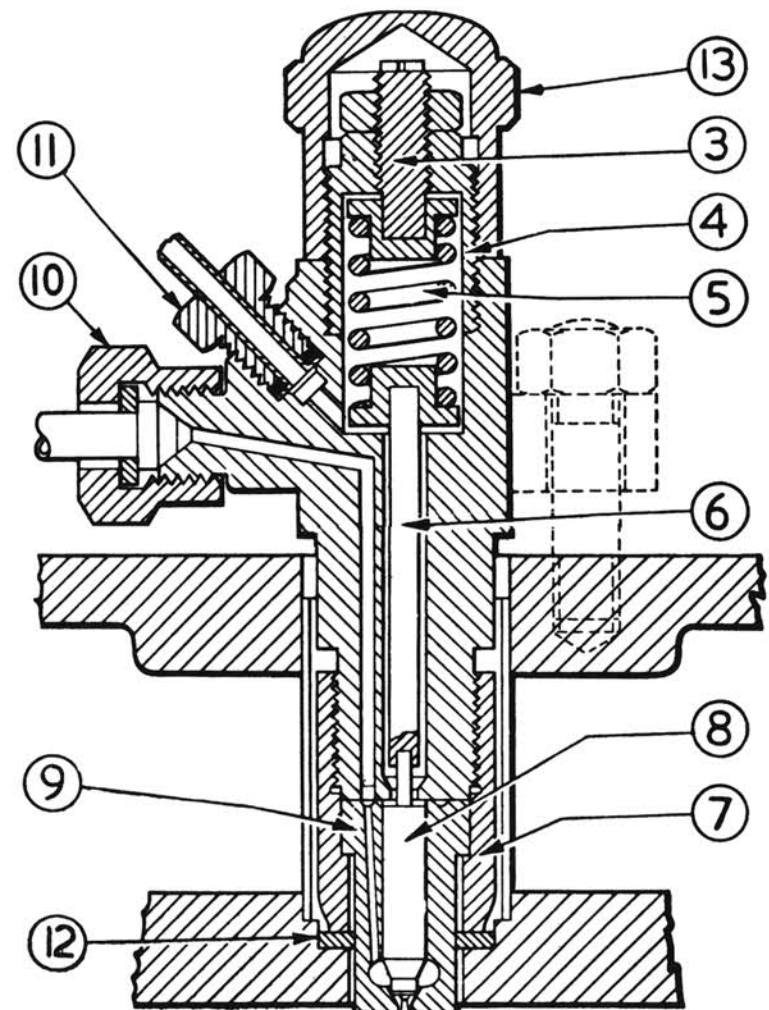


1. Valve spring
2. Delivery valve and seat
3. Pump barrel
4. Pump plunger
5. Control rod
6. Toothed quadrant
7. Control sleeve

FUEL INJECTION PUMP, SECTIONED



NOZZLE TYPES



- | | | |
|----------------------|---------------------------|---------------------------|
| 3. Compression screw | 7. Nozzle cap nut | 11. Leak-off connection |
| 4. Spring cap nut | 8. Nozzle valve | 12. Special copper washer |
| 5. Valve spring | 9. Nozzle body | 13. Protecting cap |
| 6. Valve spindle | 10. Fuel inlet connection | |

FUEL INJECTOR