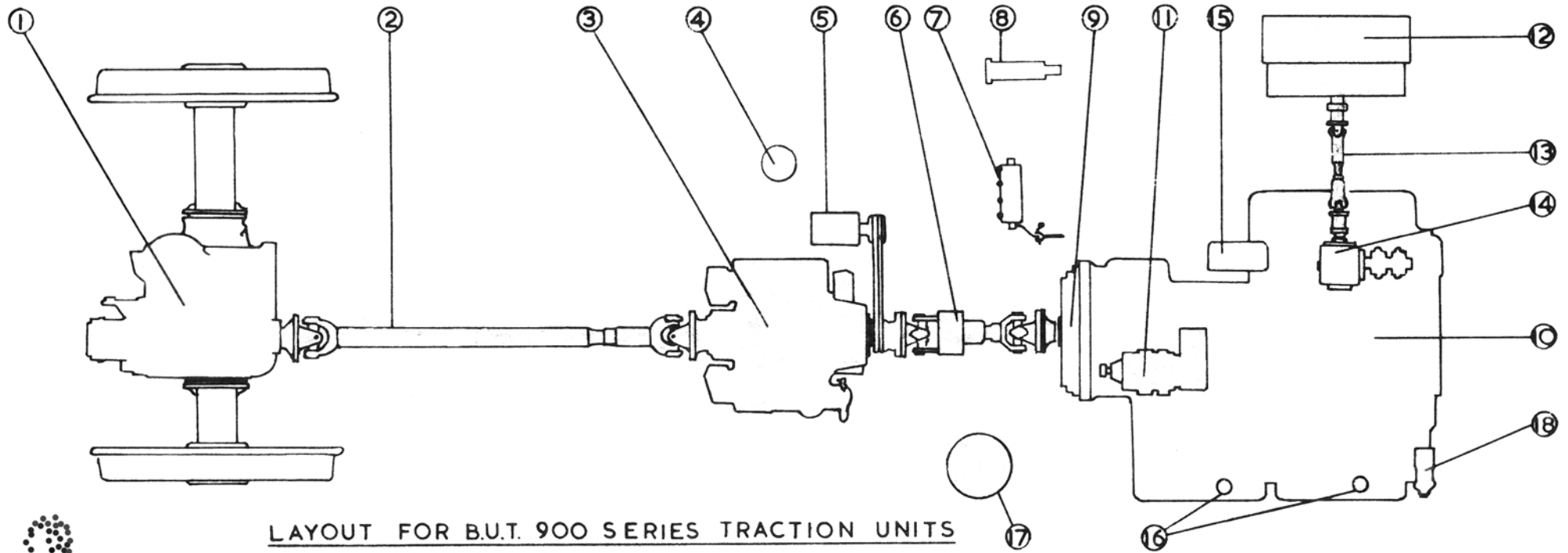


LAYOUT FOR B.U.T. A & L TYPE TRACTION UNITS



LAYOUT FOR B.U.T. 900 SERIES TRACTION UNITS